

Printer/Scanner Kit Type 1075(G3338/G3339)
IEEE 1394 Interface Board Type 1075
IEEE 802.11b Interface Kit Type B
(G3336/B525)

This parts catalog is includes MB No. 1 to 4

**Printer/Scanner Kit Type 1075(G338/G339)
IEEE 1394 Interface Board Type 1075
IEEE 802.11b Interface Kit Type B
(G336/B525)**

PARTS CATALOG

This catalog gives the numbers and names of parts on this machine.

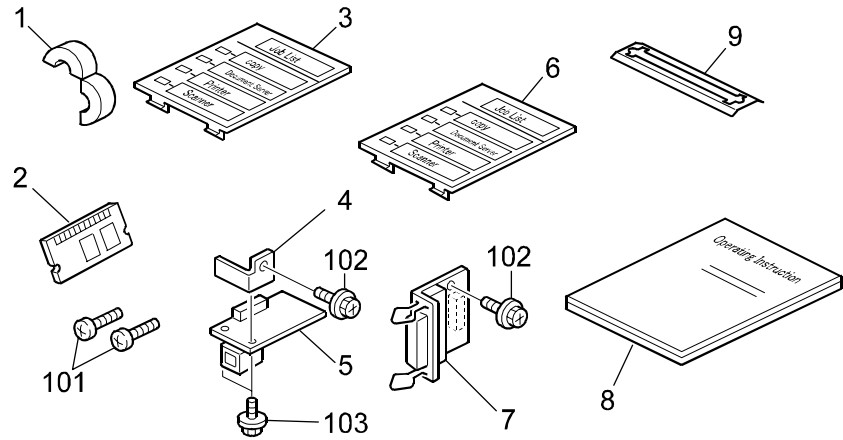
CONTENTS

1.Printer/Scanner/IEEE1394/IEEE802.11b	2
Parts Index.....	5

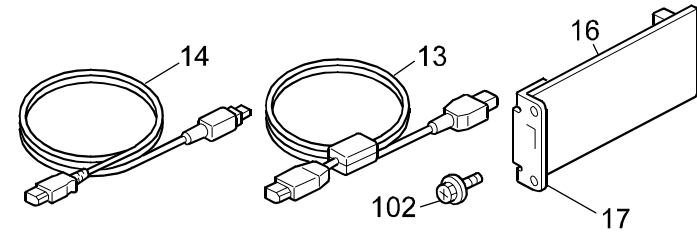
August ,10 ' 2004

1. Printer/Scanner/IEEE1394/IEEE802.11b

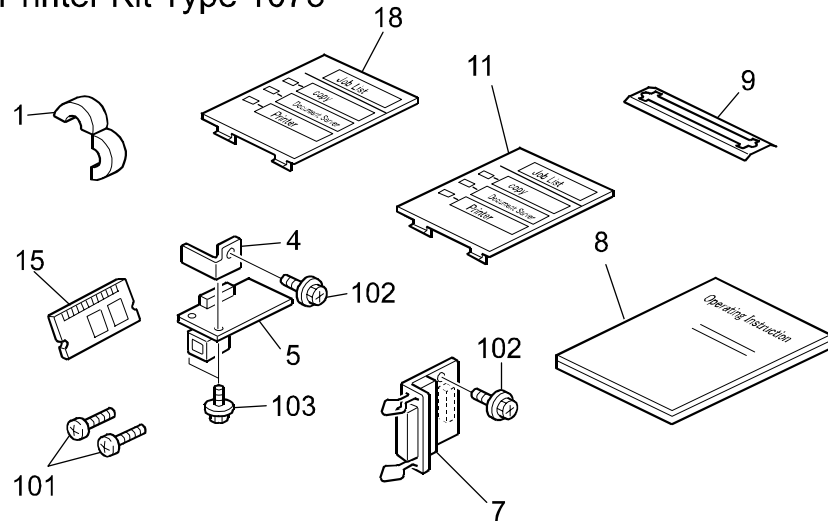
Printer/Scanner Kit Type 1075



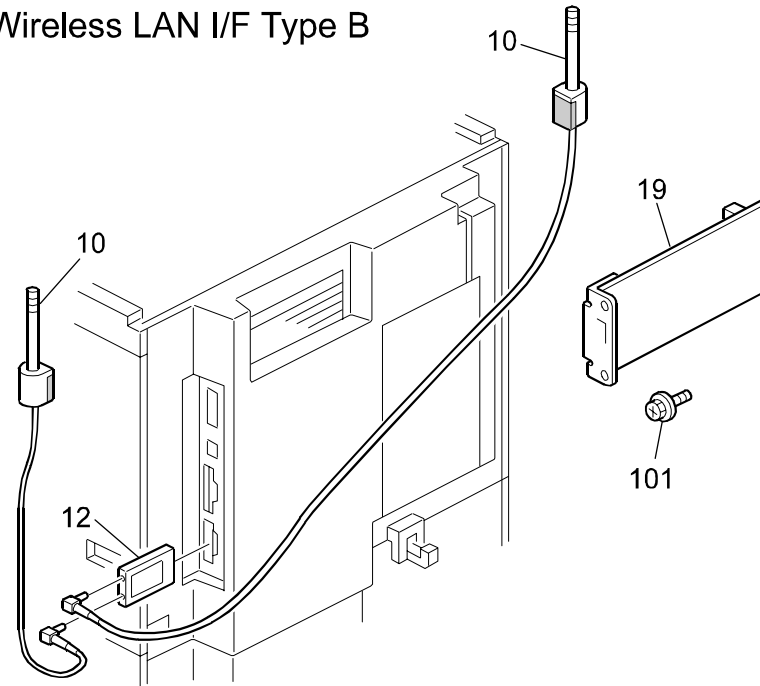
1394 I/F Kit Type A



Printer Kit Type 1075



Wireless LAN I/F Type B



1.Printer/Scanner/IEEE1394/IEEE802.11b

Index No.	Part No.	Description	Q'ty Per Assembly
1	A855 5200	Ferrite Core	1
2	G338 5118	Printer/Scanner DIMM	1
	G338 5117	X/O MB3	
3	G338 1421	Keytop - Printer/Scanner - US	1
4	B051 5885	NIB Bracket	1
5	B053 5166	Network Interface Board	1
6	G338 1422	Keytop - Printer/Scanner - EU	1
7	B463 5700	IEEE 1284 Board	1
8	G338 8611	Operating Instructions - PRN - US	1
8	G339 8609	Operating Instructions - PRN - TWN	1
8	G339 8606	Operating Instructions - PRN - CHN	1
9	B065 5793	Shadeing Plate - Centronics	1
10	G628 5400	Option Antenna - GW-WLAN	2
11	G339 1422	Keytop - Application - EU	1
12	G628 5461	Wireless Card - US	1
	G628 5453	X/X MB4	
12	G628 5462	Wireless Card - EU	1
	G628 5454	X/X MB4	
13	G561 5501	1394 Cable - 2PIN	1
14	G561 5500	1394 Cable - 4PIN	1
15	G339 5118	Printer DIMM	1
	G339 5117	X/O MB3	
16	G561 5710	1394 Board	1
17	G561 6000	1394 Board Bracket	1
18	G339 1421	Keytop - Printer - US	1
19	G628 5700	Wireless LAN Board	1

Index No.	Part No.	Description	Q'ty Per Assembly
101	0353 0080Z	Philips Trass Head Screw - M3x8	
102	0951 3004B	Philps Screw With Flat Washer - M3x4	
103	0451 3006B	Tapping Screw - M3x6	

Parts Index

Parts Index

Part No.	Description	Page and Index No.
G338 1421	Keytop - Printer/Scanner - US	3 - 3
G338 1422	Keytop - Printer/Scanner - EU	3 - 6
G338 5117	X/O MB3	3 - 2
G338 5118	Printer/Scanner DIMM	3 - 2
G338 8611	Operating Instructions - PRN - US	3 - 8
G339 1421	Keytop - Printer - US	3 - 18
G339 1422	Keytop - Application - EU	3 - 11
G339 5117	X/O MB3	3 - 15
G339 5118	Printer DIMM	3 - 15
G339 8606	Operating Instructions - PRN - CHN	3 - 8
G339 8609	Operating Instructions - PRN - TWN	3 - 8

Part No.	Description	Page and Index No.
A855 5200	Ferrite Core	3 - 1
B051 5885	NIB Bracket	3 - 4
B053 5166	Network Interface Board	3 - 5
B065 5793	Shadeing Plate - Centronics	3 - 9
B463 5700	IEEE 1284 Board	3 - 7
G561 5500	1394 Cable - 4PIN	3 - 14
G561 5501	1394 Cable - 2PIN	3 - 13
G561 5710	1394 Board	3 - 16
G561 6000	1394 Board Bracket	3 - 17
G628 5400	Option Antenna - GW-WLAN	3 - 10
G628 5453	X/X MB4	3 - 12
G628 5454	X/X MB4	3 - 12
G628 5461	Wireless Card - US	3 - 12
G628 5462	Wireless Card - EU	3 - 12
G628 5700	Wireless LAN Board	3 - 19

Part No.	Description	Page and Index No.
0353 0080Z	Philips Trass Head Screw - M3x8	3 - 101
0451 3006B	Tapping Screw - M3x6	3 - 103
0951 3004B	Philps Screw With Flat Washer - M3x4	3 - 102

Part No.	Description	Page and Index No.